

ARMAC MARTIN™

How to install your MIX Hook

We recommend using a qualified tradesperson for installation.

Contents

MIX hook on plate



MIX caps



Screws



Wall plugs



Tools Required

- Appropriate safety equipment i.e. safety glasses
- Wire/pipe & power detector
- Spirit level
- Drill
- Screwdriver
- Tape measure
- Pencil
- Hammer

Step 1 - Safety

Use a wire/pipe power detector to ensure that there are no electrical cables or water pipes where you intend to drill.

Step 2 - Positioning

Using a tape measure and spirit level, find a suitable position for your hook.

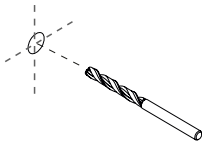
Step 3 - Marking

Using a pencil, mark the two positions for your fixing screws.



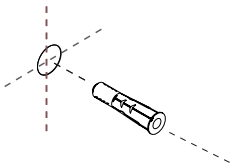
Step 4 - Drilling

For brick walls using a masonry drill, drill into the wall on the points marked. If using the supplied wall plugs, we recommend using a 6mm diameter drill bit, then proceed to step 5. For wood, there is no need for wall plugs however we would recommend drilling a pilot hole to suit the screw, then proceed to step 6.



Step 5 - Wall plugs (if fitting to wall)

Insert the wall plugs into the drilled holes. Ensure that the wall plugs are fully inserted and that they all sit flush. Tap gently with a hammer if necessary. If any of your wall plugs are protruding, they will prevent your hook from sitting flush to the wall when mounted.

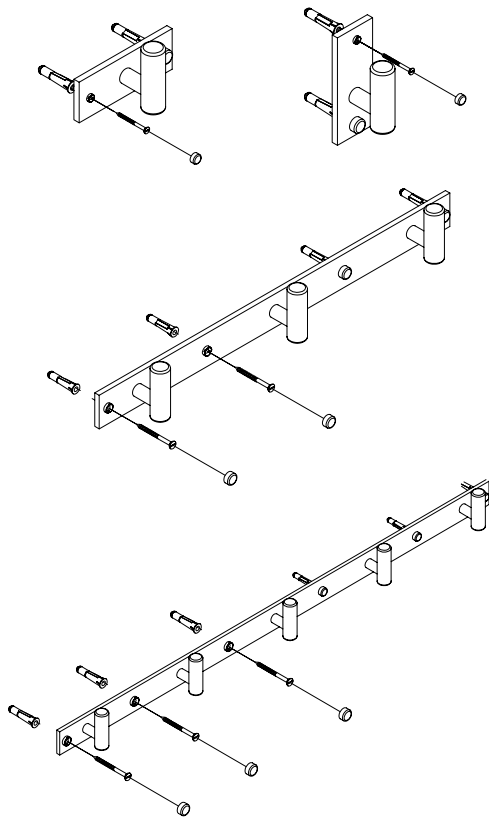


Step 6 - Fixing

Line up the hook plate to match the drilled holes or wall plugs and use the screws provided to fit to the wall.

Step 7 - Finishing touch

Once the hook has been fitted to the wall cover the screw heads by screwing the decorative caps onto the plate by hand.



Finish Care & Cleaning

Thank you for purchasing your MIX Hook from Armac Martin. Our products are of the finest quality and finished by hand in the heart of England.

Please follow the below care guide to maintain the condition of the product.

- Wipe your product down with a soft, dry cloth
- Do not use abrasive cleaners, ammoniated products, rubbing alcohol, detergents, astringents, bleach-based cleaners, aggressive chemicals, abrasive cleaning pads, or harsh polishes on the product