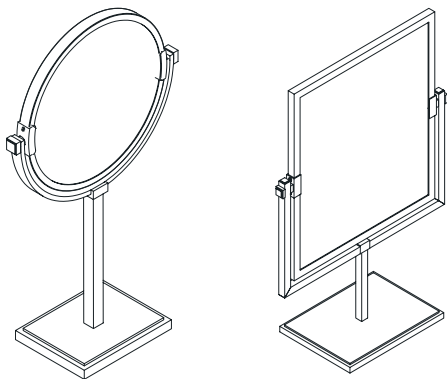


SOPHIE PATERSON | ARMAC MARTIN

Claremont Collection

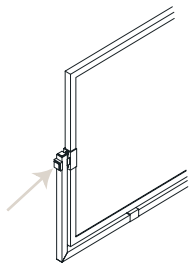
Safety & Care Guide

Claremont Vanity Mirror & Claremont Dressing Table Mirror



Mirror Adjusting Guide

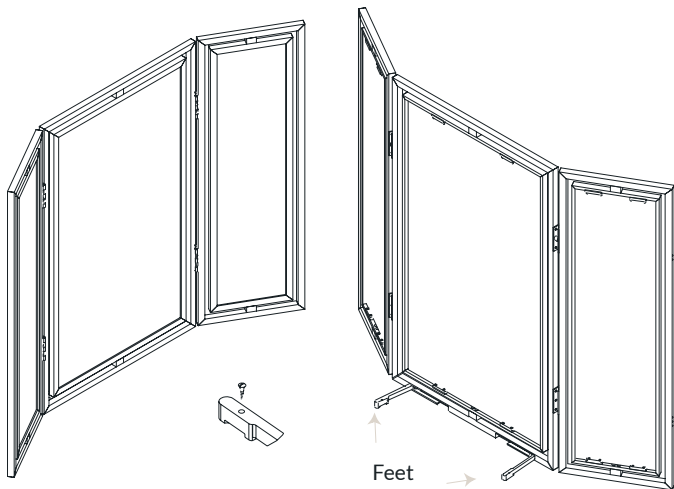
To change the tilt of the mirror, loosen the side bolts by one turn then tighten back by one turn. Do not over tighten or over loosen as this could result in damage to the mirror or breakage of the glass.



Warning: Do not place the magnifying mirror in direct sunlight or near windows to prevent risk of fire.

Claremont Panelled Dressing Table Mirror

Please note, this is a heavy item and should be handled with care.



Safety Instructions

We recommend using the enclosed fixings to screw the mirror in to your chosen surface for additional support.

Step One –

Remove all packaging carefully and lie the mirror down to open the feet on the back of the mirror to their open position.

Step Two –

Stand the mirror up and open the side panels to their full capacity. The hinges will restrict the side panels movement.

Step Three –

Decide the position of the mirror and use a pencil to mark out the drill points through the screw holes in the feet.

Step Four –

Using a 2mm drill bit, drill a small pilot hole.

Step Five –

Align the feet with the pilot holes and use the wood screws (supplied) to secure your mirror to the surface.

Finish Care & Cleaning

Thank you for purchasing your mirror from The Claremont Collection by Sophie Paterson. Armac Martin products are of the finest quality and hand finished at our Birmingham factory.

Please follow the below care guide to maintain the condition of the product.

- Use a gentle glass cleaner on the mirror glass and ensure that none of the residue is left behind on the brass for a long lasting finish
- Do not use abrasive cleaners, ammoniated products, rubbing alcohol, detergents, astringents, bleach based cleaners, aggressive chemicals, abrasive cleaning pads, or harsh polishes on the product